

CORNER ENTRY

EN 14428:2015+A1:2018 (shower enclosures)

EN 12150-1:2013 (glass in building)

6mm Toughened Safety Glass

60mm Product Adjustment

1950mm Height

25mm Wall Profile Extension Available

Patented Twist + Lock Adjustment

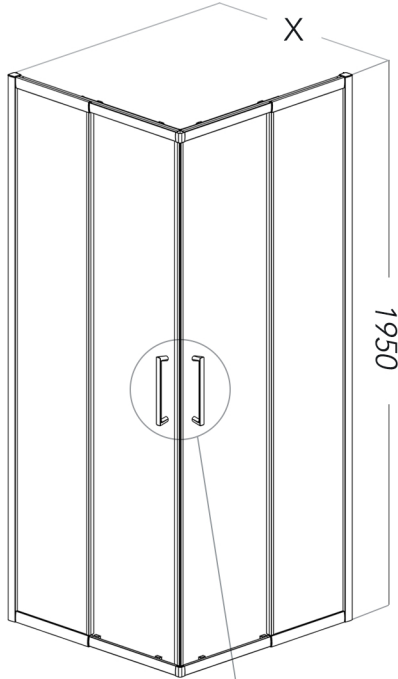
Innovative Silent Wheel Track System

CLEANEASY Coating

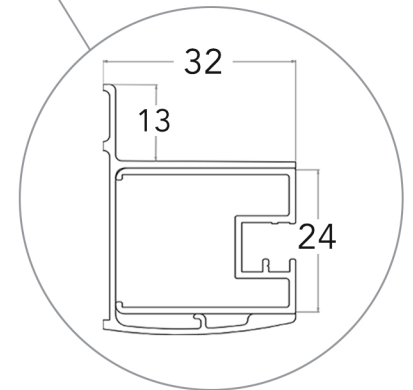
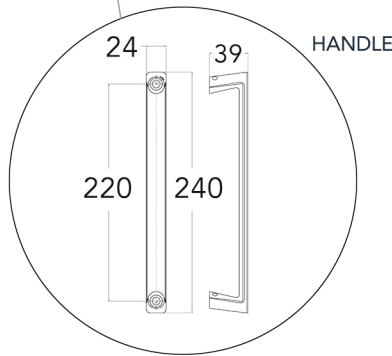
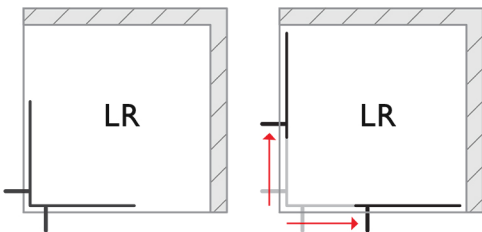
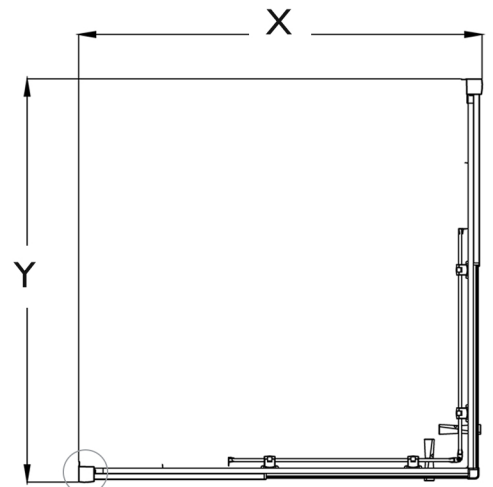
Reversible

Sleek Chrome Plated Door Handles

20 Year Guarantee Against Manufacturing Defects*



(MEASUREMENTS IN MM)



PROFILE
(SAME ON BOTH SIDES)

SPECIFICATIONS

PRODUCT SIZE	ADJUSTMENT X = Y (min - max)	ACCESS	PRODUCT WEIGHT	PRODUCT CODE SILVER
700 X 700mm	650 - 700mm	325mm	46.50kg	STCE70SSC
800 X 800mm	740 - 800mm	383mm	52.50kg	STCE80SSC
900 X 900mm	840 - 900mm	454mm	58.50kg	STCE90SSC
1000 X 1000mm	940 - 1000mm	524mm	64.50kg	STCE100SSC
1200 X 1200mm	1140 - 1200mm	524mm	76.50kg	STCE120SSC

+353 42 966 8000 | flairshowers.com | sales@flairshowers.com

All data presented may be subjected to change without prior notice. Flair Showers does the best it can to provide accurate information. Flair Showers unfortunately cannot guarantee this, and accept no liability for any information / advice given.

* Excludes perishable items such as rollers, seals, hinges, etc.

